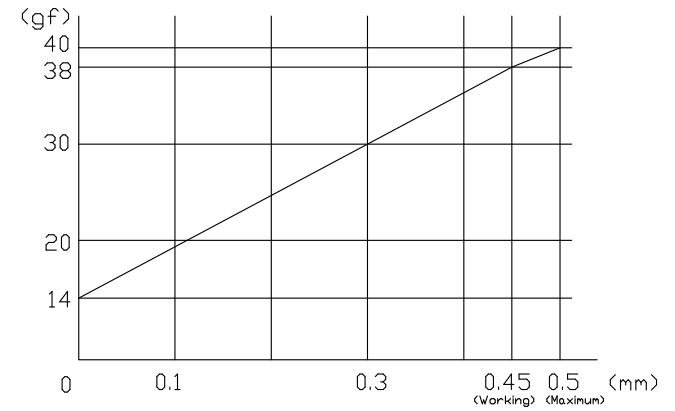
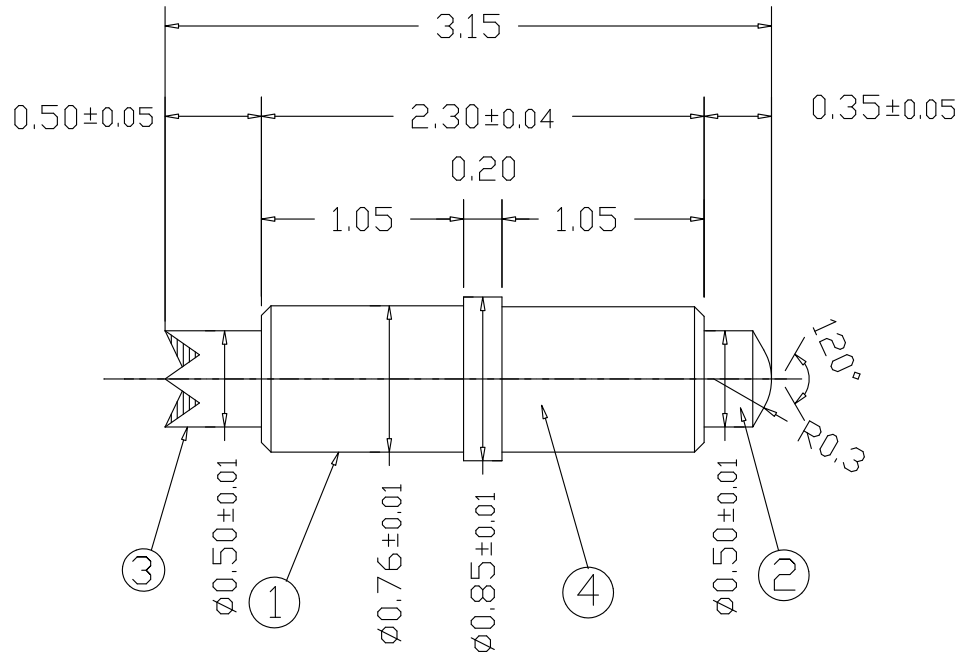


ITEM	PART NO	DESCRIPTION	MATERIAL	PLATING	
①	SBY3.15AA-B	BARREL	BS	Au	
②	SBY3.15BE-PB	PLUNGER B	BeCu	HARDENING Au	
③	SBY3.15BE-PA	PLUNGER A	SK	Silvaco	
④	SBY3.15BEH-SP	SPRING	For high temp	Au	
MARK	DESCRIPTION OF REVISION			DATE	NAME



(Note)

Max Travel : 0.5 mm.

Spring Force : $38\text{gf} \pm 10\%$ @ 0.45 mm. (Working Travel)

DESIGNED	TITLE		
CHECKED	ASSEMBLY DRAWING		
APPROVED	SIZE	DWG NO.	△
S.Izumi	A4	SBY3.15BEH	
DRAWN	SCALE	Link-MicRo' Co.,Ltd.	
2006.10.10			