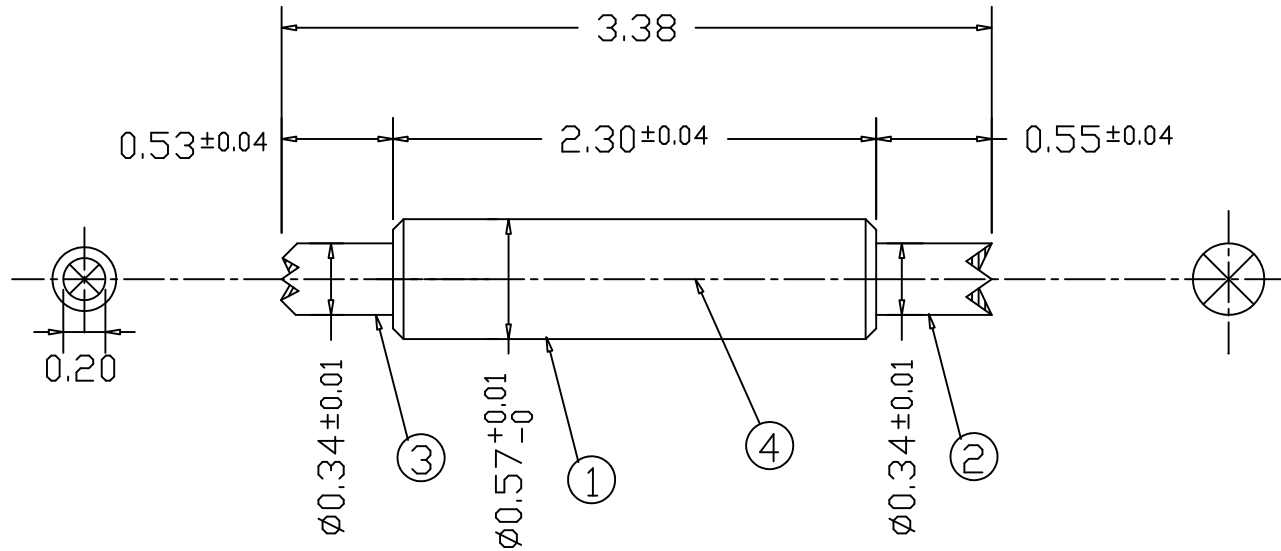


ITEM	PART NO	DESCRIPTION	MATERIAL	PLATING
①	LFX3.38AA-B	BARREL	PB	Au
②	LFX3.38AA-PA	PLUNGER A	BeCu	Au
③	LFX3.38AA-PB	PLUNGER B	BeCu	Au
④	LFX3.38AA-S	SPRING	SWP	Au

MARK	DESCRIPTION OF REVISION	DATE	NAME



(Note)

1. Spring Force : 30gf at 0.48mm stroke
2. Full Stroke; 0.6mm

AK
BS
QC
PRC
FCT
NGM

DESIGNED Yoshida	TITLE ASSEMBLY DRAWING		
CHECKED	SIZE A4	DWG NO. LFX3.38AA	
APPROVED S.Izumi	SCALE	Link-MicRo' Co.,Ltd..	
DRAWN 2004.02.28			