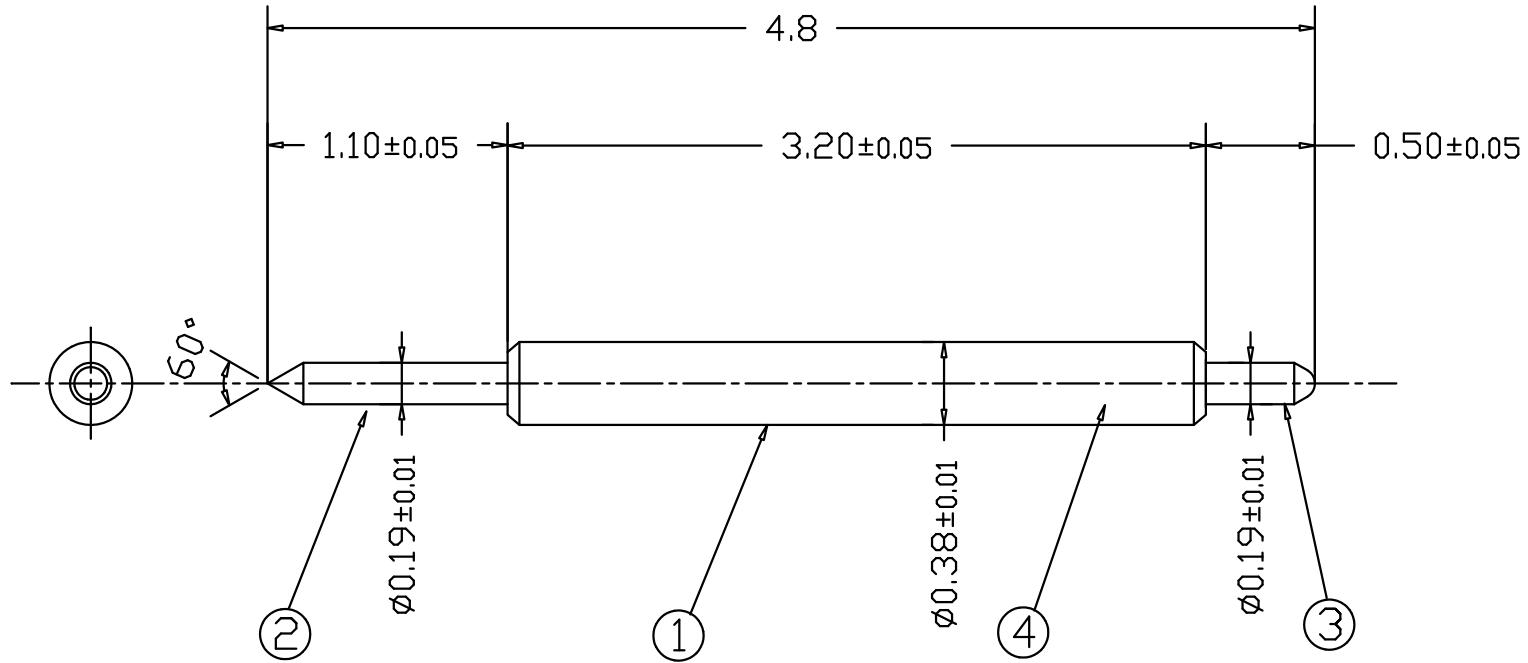
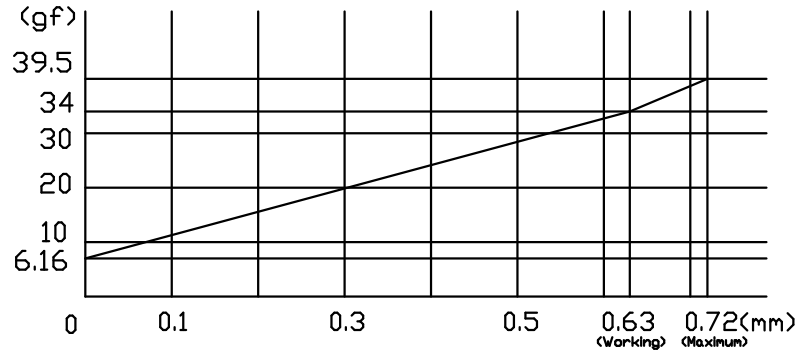


ITEM	PART NO	DESCRIPTION	MATERIAL	PLATING
①	SBV4.8BB-B	BARREL	PBT	Au
②	LFV4.8BB-PA-R1 \triangle	PLUNGER A	SK	Silvaco
③	SBV4.8BB-PB	PLUNGER B	BeCu	HARDENING Au
④	SBV4.8BBH-S	SPRING	Stainless (for HT)	Au
MARK	DESCRIPTION OF REVISION		DATE	NAME
\triangle	The dimension of the part of the Crown Plunger A that goes inside the Barrel has been modified.		06.Feb.07	T.Dono



(Note)

1. Spring force : 34gf±5gf @ 0.63mm, working travel
2. Max Travel : 0.7mm

DESIGNED Yoshida	TITLE ASSEMBLY DRAWING	
CHECKED	SIZE A4	DWG NO. LFV4.8BBH \triangle
APPROVED IZUMI	SCALE	Link-MicRo' CO., LTD.
DRAWN 2005.09.15		