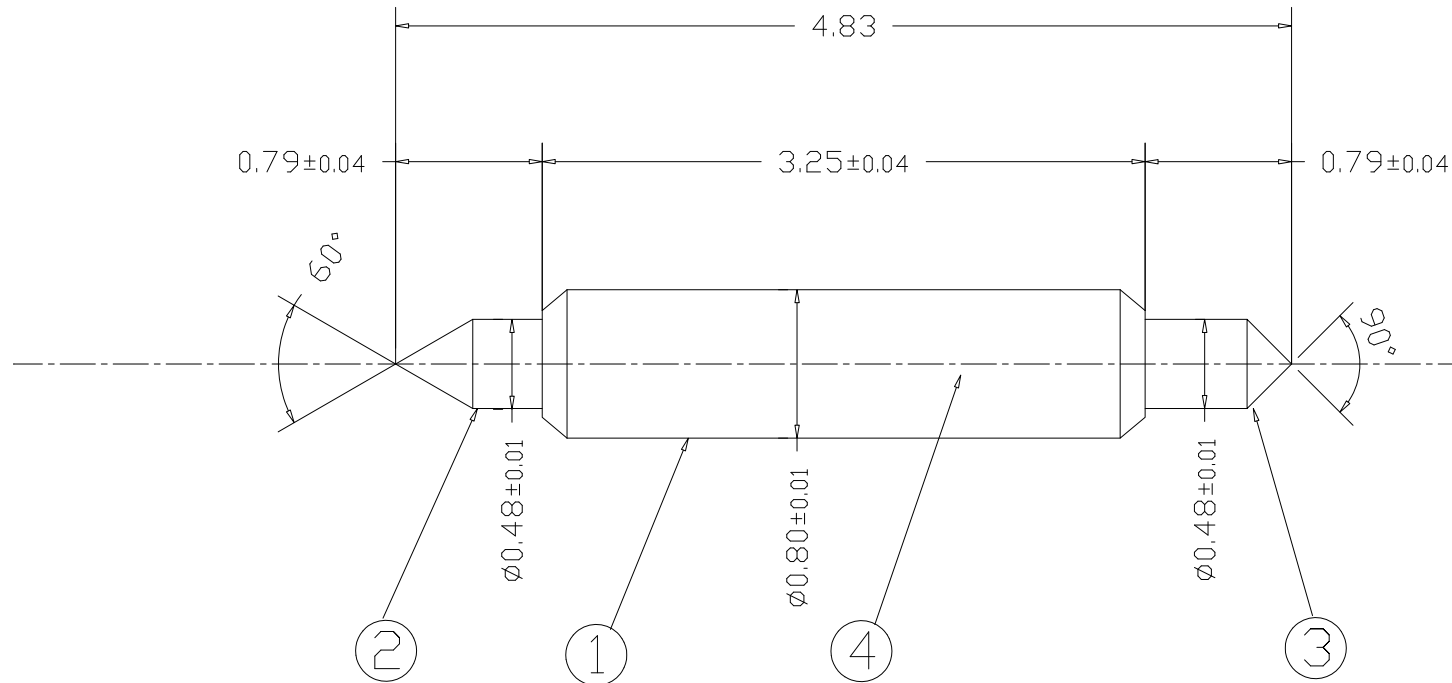


ITEM	PART NO	DESCRIPTION	MATERIAL	PLATING
①	SBY4.83AA-B	BARREL	BS	Au
②	LDY4.83AA-P	PLUNGER	SK-4	HARDENING Au
③	SBY4.83AA-PB	PLUNGER B	BeCu	HARDENING Au
④	SBY4.83AA-S	SPRING	SWP	Au
MARK	DESCRIPTION OF REVISION		DATE	NAME



(Note)

1. Max Stroke 0.74 mm.

2. Recommended Contact force : 28gf at 0.7 mm. stroke

AK
BS
QC
PRC
FCT
NGM

DESIGNED	TITLE		
CHECKED	ASSEMBLY DRAWING		
APPROVED	SIZE	DWG NO.	△
S.Izumi	A4	LDY4.83AB	
DRAWN	SCALE	Link-MicRo' Co.,Ltd..	
2004.05.19			